

---

\_\_\_\_\_

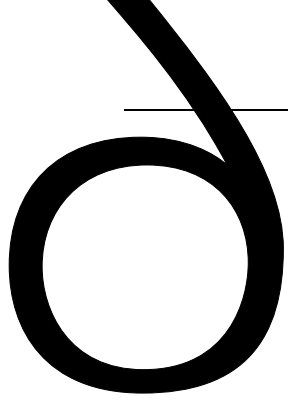
\_\_\_\_\_

\_\_\_\_\_

2020 7

---

.....	3
.....	4
.....	6
.....	7
.....	8
.....	9
.....	10
.....	11
.....	12
.....	13
.....	15
.....	16
.....	16
.....	17
.....	17
.....	17
.....	18
.....	18
.....	19
.....	20
.....	20
.....	21
.....	23



---

1.

108

180378

2

2.1 2020 07 27

2.2 \_\_\_\_\_

3.

3010 m<sup>í</sup> u \_\_\_\_\_

3.2 2020 08 04 9

	_____
	_____
	_____
	108
	1
	2
	<u>2020</u> <u>12</u> <u>31</u>
	1
	2
	1
	2
	1
	2
	1
	2
	_____ / _____
	1
	2
	3

	1	
	2	
	1	
	1	
	2	
	1	_____
	2	
	2.1	<u>2020</u> <u>08</u> <u>03</u> 16:00 _____
		_____
		_____
		_____
		<u>10710101040217389</u>
	2.2	
	2.3	5
	1	_____
	2	
		--

---

7.4

---

1YB } Q

---

1.3

1.2

2.1

1.4

2

2.1

3

2.2

3

2.3

3

2.4

2.5

2

2.6

2.7

1.

1.1

2.

3. ?±"5

4.

4.1

4.2

365

5.

6.

6.1

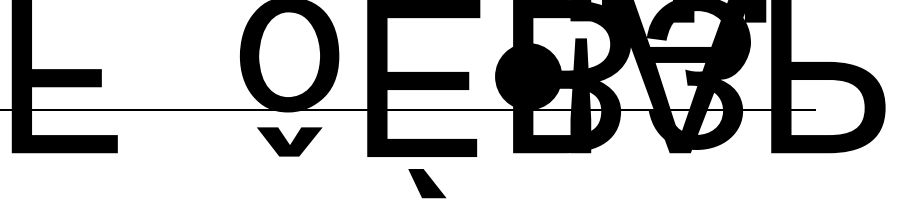
---

1.

2. 00XGÿ

Ã þSí Ó°I F >| F 7 Ä





---

4.2

4.3

4.4

5.

5.1

5.2

5.3

5.4

5.5

5.5

5.6 \_\_\_\_\_

1x



---

2.2

2.3

5

3

3

3.1

/u

/u

3.2

3.3

4

4.1

---

4.2

5

5.1

"

" "

"

5.2

5.3

5.4

6

6.1

6.2

63

64

1.

08 04 9 00

15

2

3

31

32

33

4

41

42

2020

---

3

4

7

---

1.1.2

(1)

(2)

1.2

---

90%

1.3

1.4

2

2.1

2.2

3

3.1

3.2

3.3

3.4

4

4.1

4.2





---

1.

2.

3.

---

---

1

\_\_\_\_\_

2

---



---



---



---

	<hr/> <hr/>		

---



---

<hr/>	
	<hr/> <hr/>
	<hr/> <hr/> <hr/>

---

---

1

2

2

3

2

3

4

5

6

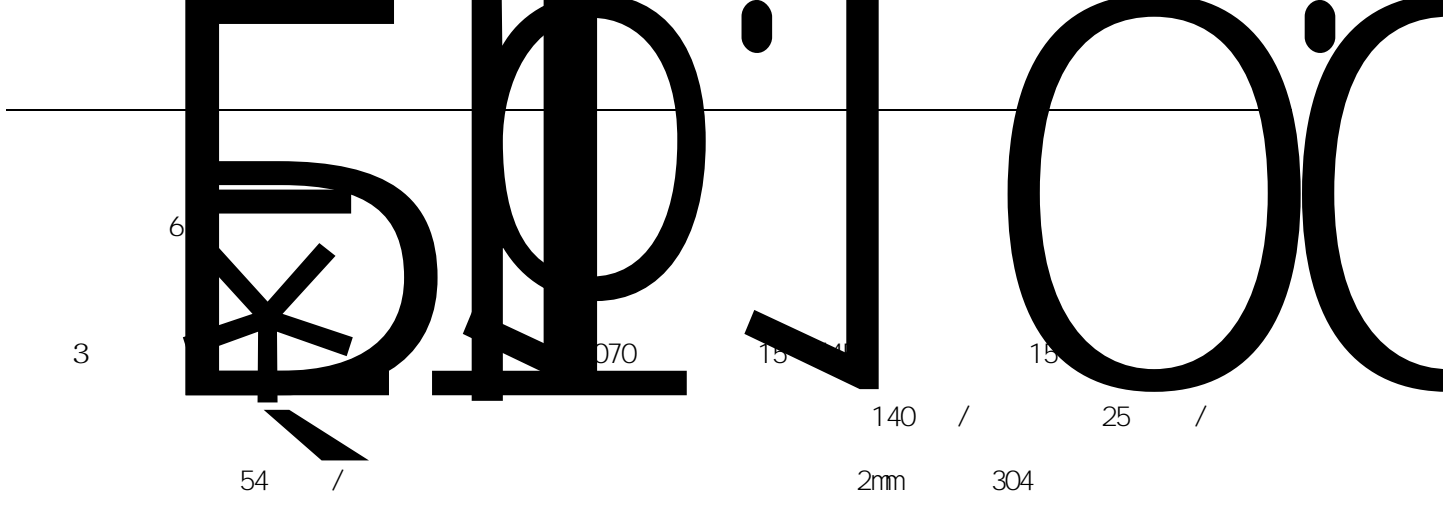
6.1

6.2

6.3

6.4





4

50mm

0.8mm

50mm\*50mm\*1.5mm

EPDM

5

100

PPR

2.5mm

6

PS

IP66

7

---

9

" Dwyer "

10

I P54

11

PVC

PVC

12

20

1





---

--

